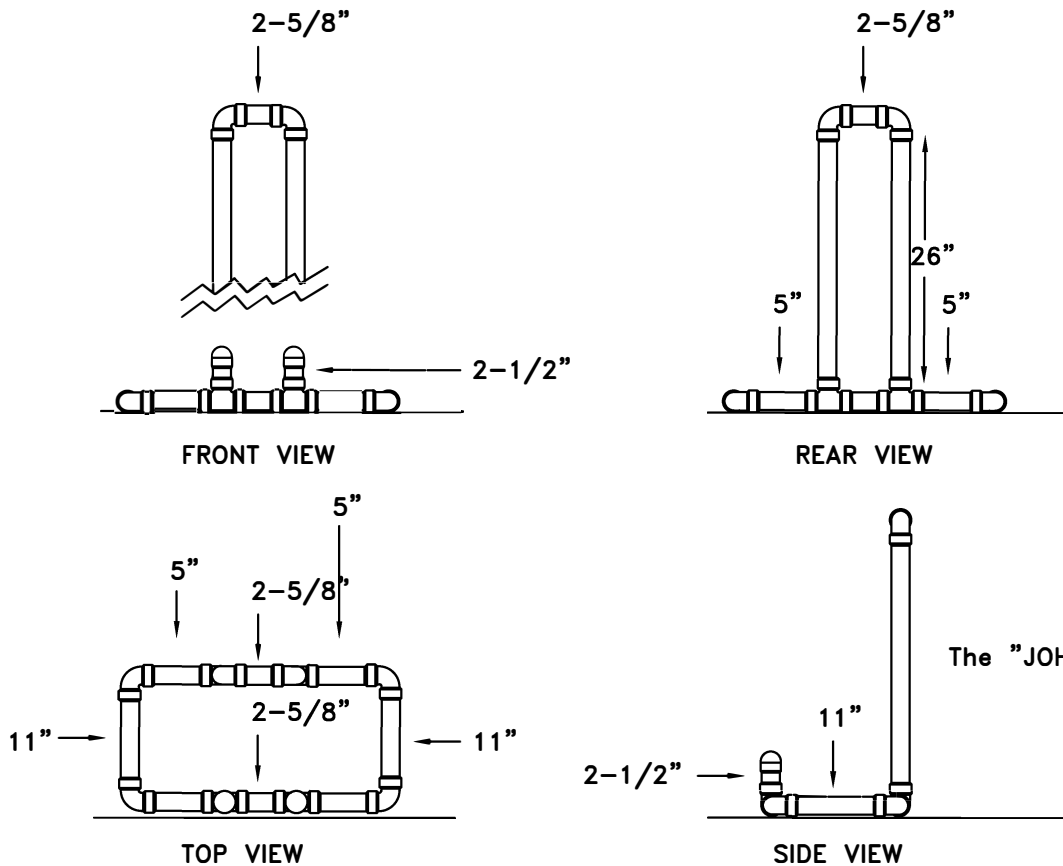


Johnny Stand

Materials List:

- 1 ea. 96" 1-1/2" PVC Tubing
- 6 ea. 1-1/2" 90 degree elbow
- 4 ea. 1-1/2" "T" connector
- 2 ea. 1-1/2" cap
- 1 ea. PVC cement

A chop saw will make even cuts on the PVC,
 Pre assemble to test fit, level and trueness,
 Mark fitting and tubing with a pencil,
 When assembling build all sections on a flat surface,



The "JOHNNY STAND"

SECTIONS A-B-C-D

